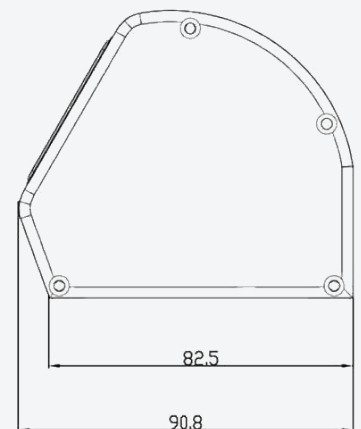
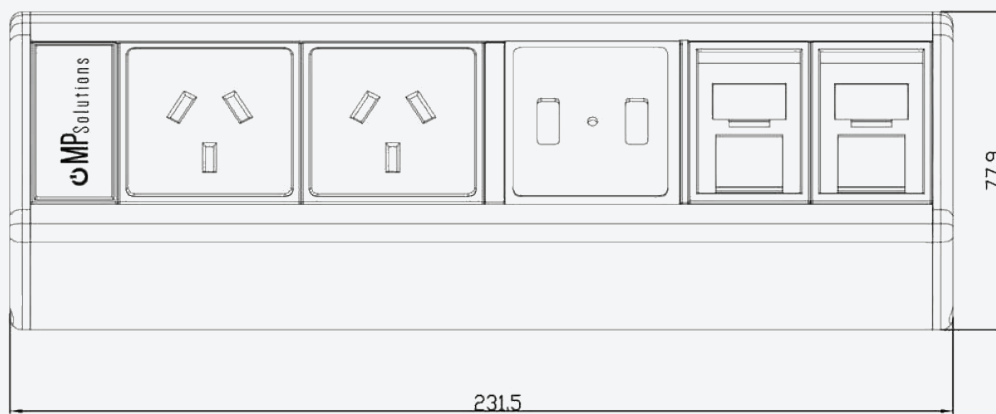


# V4 RANGE USER MANUAL



## Installation

Bench-top Clamp System



## Outlet Options

2x Power Outlets\*  
2x USB Power Outlets\*  
2x RJ45 Outlets \*

\*Outlet options may vary per model



## Model Options

V4T, V4S, V4C



## Support

Contact your local distributor for support.  
Manufactured by  
Modern Power Solutions

## INSTALLATION

Included in box:

- The Unit
- 2x Sets of G Clamps

Installation:

1. Position the unit to the edge of a desktop surface
2. Align the two clamps either end of the unit gripping the bench top and unit itself.
3. Tighten the two G clamps, ensuring the unit is firmly attached.
4. Plug the cable into an Australian power outlet.

## SPECIFICATIONS

Model designed for use in Australia and New Zealand.

Rated current of 10A, Rated voltage of 240v, or otherwise specified.

Earth connected, with shell earth contact.

USB Power Output 5v. Refer to the product tag for model specific specifications.